

REPORT OF UNDERWAY pCO₂ MEASUREMENTS IN SURFACE WATERS
AND THE ATMOSPHERE DURING June 2000

(RVIB Nathaniel B. Palmer Cruise 00/4)

S. C. Sutherland, Taro Takahashi, Colm Sweeney

Lamont-Doherty Earth Observatory of Columbia University
Palisades, NY 10964

1 November, 2002

1. General

1-a) The Cruise:

The data start on 9 June 2000, just after midnight UTC. The data end near 53.5°S, that is, north of Cape Horn, at 1525 UTC on 22 June 2000. Although the schedule has the cruise originating from Punta Arenas, Chile, our system was not taking data until near Palmer Station, Antarctica. The cruise, then, includes a complete crossing of the Drake Passage with a small segment near 57°30' S missing.

1-b) The pCO₂ data:

The primary source of data are files created by the ships data acquisition system, (RVDAS). A program runs to combined pCO₂ data, TSG data, and several other parameters, such as latitude, longitude, windspeed, water-flow in the uncontaminated seawater line, etc. We used raw pCO₂, TSG temperature and salinity, and position from the ship's GPS data in the merged RVDAS file. These files have the name: NDP0001pco2.dXXX, where XXX is the yearday. They are stored in the rawdata subdirectory, and have been merged into rawdata.txt. We then edit rawdata.txt to remove extra observations after the last set of standards. Further, as the **procpc02.prg** program runs it identifies places where the number of standards is wrong. This did not find any problems in this file.

Thirty-three seawater and one air observation are made between standard sets. Each observation involves flowing the equilibration gas for 180 seconds. We also flow the air for 180 seconds before stopping for an observation. Details on these and other aspects of the analysis system are explained later.

The transition across the Antarctic Front did not seem to go well. During the fairly rapid changed from 1.5°C to 5.5°C the difference between the TSG and Teq crept up to over 2 degrees, and abruptly returned to near 1.0 after the temperature stablized. During the same time, the pCO₂ also ramped up, but much higher than either just before or just after the transition. More thought is required before we can just accept these values. For the time being, I rejected them.

For the remainder of the north-bound transit, there are several abrupt changes in salinity, temperature, and pCO₂. At about 57°S, the ship's track entered the shadow of the shallow water south of Cape Horn, and what we are probably seeing is eddies and streakiness from that shallow water effect.

Standards:

Cylinder	Concentration (ppm)
Nitrogen (UHP)	0.0
CC02231	236.29
CC02218	109.95
CC15551	362.8
CA02205	495.18

A 4th order calibration curve is used with all 5 standards, as described in Section 2.

Standards flow for about 70 seconds before an observation is made.

1-c) AIR data:

There is considerable positive spiking in the air data. This is usually due to contamination by stack gas, and that assumption would certainly apply here. Unlike the previous cruise, the mean value of the VCO₂ of dry air is 368.13±0.24, N=195 (for VCO₂ <= 369.0), which is substantially higher than the 365.40 we estimate from extrapolating the GlobalView-CO2 database.

To calculate ΔpCO₂ we use the GlobalView CO2 South Pole data, extrapolated to June 2000. The last observations in that file are for year 1997.0. A longterm trend is fitted to these observations, then extrapolated forward. Naturally, there is some uncertainty in this extrapolation, but it should only be about 1-2 ppm. I further have a simple linear interpolation for latitude north of 90°S which is applied. This variable gvvco2_air contains the uncorrected value and vco2_air has the latitude correction included.

1-d) Editing:

Generally, several criteria were used to reject data points:

- When the water flow dropped below 30 l/min, and for 3 additional scans to allow the system to return to equilibrium.
- Before the transition across the Antarctic Front, during day 173, when the TSG temperature was above 0, and for 6 additional scans.
- When the TSG temperature was above 8.8.

Then individual observations and groups of observations are rejected. The criteria here is usually spikes in temperature, particularly where the temperature warms sharply. This normally implies some sort of flow problem, beyond what the water flow sensor is

reporting. Salinity spikes also show flow and bubble problems, and that variable is used in a decision to reject observations. Of the 7,035 observations of seawater pCO₂ we rejected 322. The program **editpco2.prg** performs this editing operation.

To create a 0004sfc.dbf surface format file, we use only ACCEPTED pCO₂ values, but ALL the data are retained in the pco2data.dbf database in the subdirectory: \NBPALMER\NBP00_4\SURFACE\PCO2DATA. We add Thermosalinograph salinity and the ship's barometric pressure (from JGxxx.dat) files, and estimate the air value from the GlobalView CO₂ South Pole database (as explained under 1-d) AIR data).

1-f) Estimating Temperatures:

Early in the cruise, there was a period of no TSG temperature, and we estimated it using an offset of $0.76^{\circ}\pm 0.06\text{C}$ from the TEQ.

1-g) Other Data:

The merged files contain RVDAS data of position, time, TSG parameters, meteorological parameters, and ship's heading and speed. These files are the source of the data in the final file.

Salinity Processing: The subdirectory salinity contains a file which is use to edit salinity observations by the program **procsal.prg**. These edited observations are then included in the **0004sfc.dbf** file by a part of **make0004.prg**

This ship's barometric pressure was used with observed sea surface temperature, and salinity to calculate pCO₂ of air from the GlobalView CO₂ South Pole estimated VCO₂ assuming 100% relative humidity. Delta pCO₂ is the difference between our pCO₂ at SST and this pCO₂ of wet air.

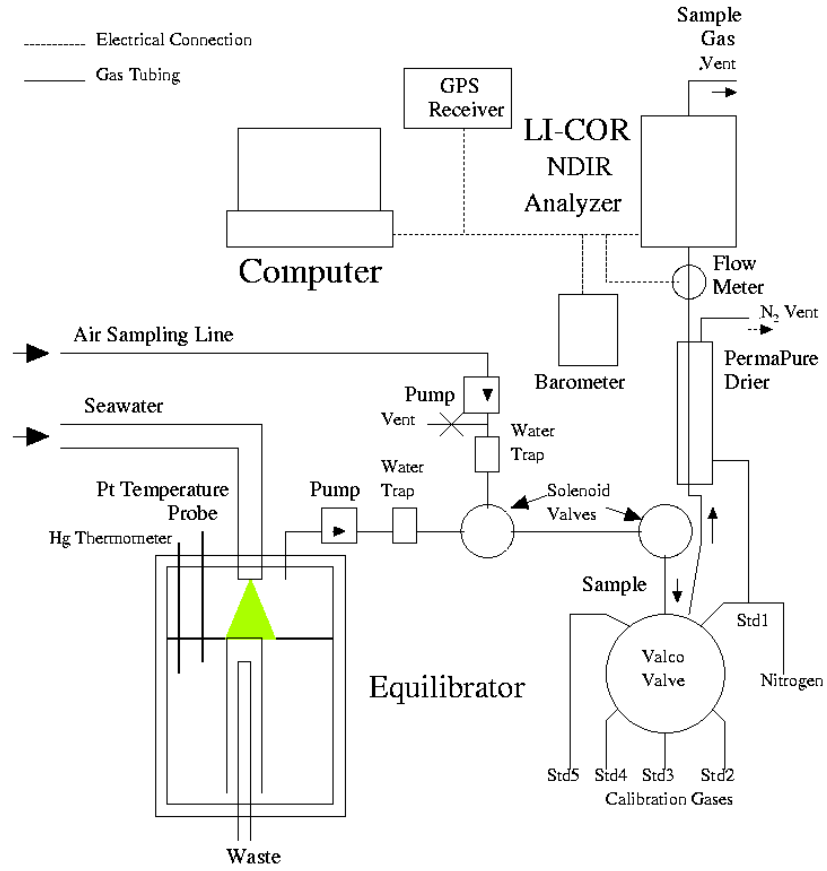
Wind speed units are meters seconds⁻¹.

2. MEASUREMENTS OF pCO₂ IN SURFACE WATERS

2-a) The LDEO Underway System for Surface Water pCO₂ Measurements:

The system for underway measurements of pCO₂ in surface waters consists of a) a water-air equilibrator, b) a non-dispersive infra-red CO₂ gas analyzer and c) a data logging system. The measurement system is schematically shown in Fig. 1, and is similar with the one described in Bates et al. (1998). Each of these units and the data reduction procedures used will be described below.

Figure 1 - The underway pCO₂ system used for the measurements of pCO₂ in surface waters during the Southern Ocean JGOFS (AESOP) Program.



2-b) Water-air Equilibrator:

The equilibrator has a total volume of about 30 liters and is equipped with a specially designed drain which maintains automatically the level of water in the equilibrator at a constant level at about half the height of the equilibrator leaving about 15 liters of headspace. Seawater from the ship's uncontaminated water line is continuously pumped into the equilibrator at a rate of about 10 liters/min, giving a mean residence time of water in the equilibrator of about 1.5 minutes. The headspace above the water serves as an equilibration chamber. A carrier gas (commonly marine air) is drawn into the chamber by a diaphragm pump, and exchanges CO₂ with a continuous flow of seawater sprayed into the chamber through a shower head. Because of large gas-water contact areas created by fine water droplets as well as gas bubbles in the pool of water, CO₂ equilibration between the carrier gas and seawater is achieved rapidly with a e-folding time of 2 to 3 minutes. Under normal operating conditions, the carrier gas in the equilibration chamber is pumped into the infra-red gas analyzer at a rate of about 50 ml/min. At this rate, the residence time of the carrier gas in the equilibration chamber is about 300 minutes, that is about 100 times as long as the equilibration time. Therefore, the carrier gas in the head space is always in equilibrium with water. The over all response time of the equilibrator system has been estimated to be of an order of several minutes. The large volume of water in the equilibrator is chosen in order to have a large thermal inertia of the equilibrator, so that the effects of room temperature changes on the equilibration temperature may be minimized. The temperature of water in the equilibrator is monitored continuously using a Guildline platinum resistance thermometer (readable to 0.05 °C) and recorded on the data logging computer. A calibrated mercury thermometer is also inserted in the equilibrator for testing the performance of the platinum thermometer.

At the gas intake end of the equilibrator, a flow indicator based on U-tube manometer is attached. This gives a visual confirmation for the fact that marine air is taken into the equilibration chamber at a desired flow rate. Since we operate the system with the equilibration chamber at the same pressure as the ambient room pressure, the total pressure, at which the gas was equilibrated, is measured using a precision electronic barometer (Setra Model 270, Action, MA) outside the equilibrator. This equilibration pressure is also logged on the computer.

The temperature and salinity of seawater at the in situ conditions were measured using a SeaBird Model SBE-21 thermosalinograph aboard the N. B. Palmer and a SIO/ODF thermosalinograph unit based on Neil Brown sensors aboard the R. Revelle. The precision of the report temperature data has been estimated to be about 0.005 °C.

2-c) Infra-red CO₂ Gas Analyzer:

The equilibrated gas was passed through a water trap (to collect aerosols and condensates), mass flow controller and a reverse flow naphion dryer (PermaPure flushed with pure nitrogen gas) to remove water vapor (to a level of -20°C), and was introduced into the IR sample cell at a rate of about 50 ml/min for CO₂ determinations. A LI-COR infra-red gas analyzer (Model 6251, Lincoln, NB) was used. After about 3 minutes of

purging period, the gas flow was stopped and readings were recorded on the computer. Although an electronic circuit was provided by the manufacturer in order to linearize the CO₂ response, it exhibited a few inflexions that deviated from linearity by a few ppm. Therefore, we chose not to use the outputs from the linearization circuit supplied by the manufacturer. Instead, we used five standard gas mixtures (one pure nitrogen and four CO₂-air mixtures) during the expeditions, and established response curves using the raw output from the analyzer. The CO₂ concentrations in the gas mixtures were calibrated using the SIO standards determined by C. D. Keeling's group using the manometric method. The concentrations of CO₂ in the standard gas mixtures were summarized above.

During normal operations, each of the standard gas mixtures was passed through the analyzer for 70 to 90 seconds at a rate of about 60 ml/min. This replaced the IR analyzer cell completely with the new gas. The flow was stopped for 5 seconds and then a millivolt reading from the analyzer was taken and recorded. Samples of equilibrated air and marine air were pumped through the analyzer for 180 seconds (3 minutes) at a rate of about 50 ml/min to purge the previous sample in the IR cell. The flow was stopped for 5 seconds and a reading for the analyzer output was recorded. This procedure was intended to eliminate errors due to fluctuations of the dynamic pressure within the IR cell by irregular gas flow rates. The slow flow rates used for samples were required for the removal of water vapor using the PermaPure membrane dryer. Between two sets of calibration runs using the five standard gases, 6 to 20 samples were analyzed depending upon the stability of the IR analyzer.

2-d) Data Logging System:

The following values were recorded on a laptop computer. The sample locations were derived from a GPS positioning unit that is a part of our surface water pCO₂ system. The CO₂ readings for samples were recorded once every 3 minutes (180 seconds), and those for the standard gas mixtures once every 1.5 minutes.

Date,

Time (GMT),

Latitude,

Longitude,

Sample ID (standard gas cylinder numbers, seawater CO₂, atmospheric CO₂)

Barometric pressure in the laboratory (to 0.1 mb)

IR cell temperature,

Gas flow rate in the IR cell (to 0.1 ml/min),

Temperature of equilibration (to 0.01 °C),

Analyzer output (millivolts to 0.1 mv)

CO₂ concentration in dry gas sample (preliminary based on the last response curve), and pCO₂ (preliminary value based on the last response curve).

2-e) Data Deduction Procedures:

The concentration of CO₂ in the sample was computed by the following way based on the millivolt reading and time of the reading. The millivolt reading taken for each of the five standard gases at the time of sample measurement was computed by linearly interpolating as a function of time using the readings taken before and after the respective standard gases were analyzed. This yields millivolt reading for each of the five standard gases at the time when the sample was analyzed. These five values were fit to a fourth-order polynomial equation (with five constants to be determined). This serves as the response curve. The CO₂ concentration in the sample was computed using the response curve that was established at the time of each sample analysis. This method has been demonstrated to yield more reliable CO₂ values compared with those computed, for example, using a least-squares fit of a quadratic or cubic functions to the five calibration points. The method described above yields atmospheric CO₂ values that are consistent with those reported for the South Pole and the Cape Grim by the Climate Monitoring and Diagnostics Laboratory/NOAA in Boulder, CO.

The partial pressure of CO₂ in seawater, (pCO₂)_{sw}, at the temperature of equilibration, T_{eq}, in the unit of microatmospheres (µatm) was computed using the expression:

$$(pCO_2)_{sw} @ T_{eq} = (V_{CO_2})_{eq} \times (P_b - P_w), \dots \dots \dots [1]$$

- (V_{CO₂})_{eq} = the mole fraction concentration (ppm) of CO₂ in the dried equilibrated carrier gas;
 P_b = the barometric pressure (that is equal to the total pressure of equilibration) in atmospheres; and
 P_w = the equilibrium water vapor pressure at T_{eq} (°C) and salinity.

The water vapor pressure was computed using the following formulation;

$$P_w \text{ (atm)} = (1/760) \times (1 - 5.368 \times 10^{-4} \times \text{Sal}) \times \text{EXP} \{ [0.0039476 - (1/TK)] / 1.8752 \times 10^{-4} \}, \dots \dots [2]$$

where Sal is salinity in PSU measured using the ship's thermosalinograph, and TK is the temperature of equilibration in °K.

The (pCO₂)_{sw} at the in situ temperature, T_{in situ}, was computed using a constant value of 0.0423 % per °C for the effect of temperature (Takahashi et al., 1993):

$$(pCO_2)_{sw} @ T_{in \text{ situ}} = (pCO_2)_{sw} @ T_{eq} \times \text{EXP}[0.0423 \times (T_{in \text{ situ}} - T_{eq})].$$

The value for T_{in situ} is taken to be the seawater temperature measured by the ship's thermosalinograph at the time of pCO₂ measurements. T_{eq} is generally warmer than T_{in situ} by 0.5 ~ 0.8 °C. Hence the temperature correction is normally less than 3% of pCO₂ values.

The over all precision of the reported $p\text{CO}_2$ _{sw} values has been estimated to be about ± 1.5 μatm .

3. MEASUREMENTS OF $p\text{CO}_2$ IN THE ATMOSPHERE

3-a) Measurements:

The air measurement system is shown schematically in Fig. 1. Uncontaminated marine air samples were collected about 10 m above the sea surface using a DEKORON tubing (1/4" i.d., Calco Inc., PA), a thin-wall aluminum tubing protected by plastic casing. The intake was located at the middle of the foremast about 10 m above the sea surface. A KNF Neuberger air pump that was located near the IR analyzer was used to pump air through the tubing and into the IR analyzer. Even when air samples were not analyzed, the pump was on all the time to keep the air flowing through the sampling line. For the analysis, the air sample was passed through a water trap and a drying column to remove water vapor (the same PermaPure column as used for the equilibrated gas) and introduced into the IR cell for CO_2 analysis at a rate of about 50 ml/min. After 3 minutes of purging the cell, the flow was stopped for 5 seconds and the IR millivolt output reading was recorded.

3-b) Data Processing:

The partial pressure of CO_2 in the air, $(p\text{CO}_2)_{\text{air}}$, was computed in the unit of microatmospheres (μatm) in the same way as that for seawater using Eq. [3] below:

$$(p\text{CO}_2)_{\text{air}} = (V_{\text{CO}_2})_{\text{air}} \times (P_b - P_w), \dots \dots \dots [3]$$

$(V_{\text{CO}_2})_{\text{air}}$ = the mole fraction concentration (ppm) of CO_2 in the dried air sample;
 P_b = the barometric pressure at sea surface in atmospheres; and
 P_w = the equilibrium water vapor pressure at $T_{\text{in situ}}$ ($^{\circ}\text{C}$) and salinity given by Eq. [2].

The precision of the atmospheric $p\text{CO}_2$ values have been estimated to be about ± 1 μatm .

4. REFERENCES CITED

Bates, N. R., Takahashi, T., Chipman, D. W. and Knapp, A. H. (1998). Variability of $p\text{CO}_2$ on diel to seasonal time scales in the Sargasso Sea. *Jour. Geophys. Res.*, 103, 15567-15585.

CO_2 Group, Lamont-Doherty Earth Observatory. (1999) "p CO_2 Equilibrator Users Manual", LDEO of Columbia University, Palisade, NY, pp.10.

Takahashi, T., Olafsson, J., Goddard, J., Chipman, D. W. and Sutherland, S. C., (1993). Seasonal variation of CO₂ and nutrients in the high-latitude surface oceans: A comparative study. *Global Biogeochemical Cycles*, 7, 843-878.